



MODEL
V184



Technical Data Sheet

50Hz CLASS "H"

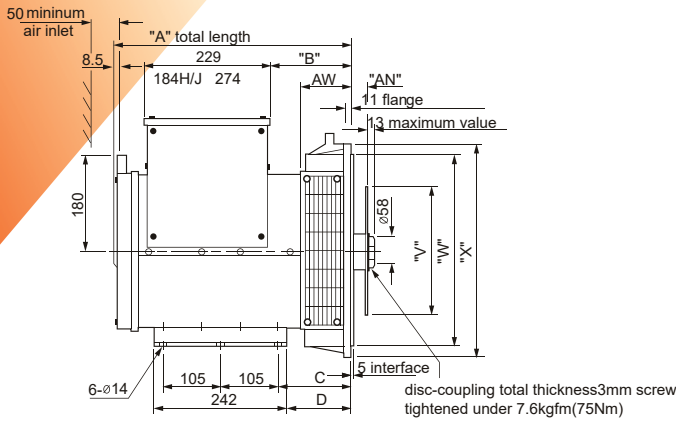
| RATINGS | Winding 311 / 0.8 Power Factor | | | | | | | | | | | | | | Winding 05 | | | |
|---------------|--------------------------------|----|------|----|------|----|------|----|-----------------|------|------|------|------|------|-----------------|------|------|------|
| | Cont./125k/40°C | | | | | | | | Cont./125k/40°C | | | | | | Cont./125k/40°C | | | |
| PHASE | 3 PHASE | | | | | | | | 1 PHASE | | | | | | 1 PHASE | | | |
| SERIES STAR | 380 | | 400 | | 415 | | 440 | | | | | | | | Power Factor | | | |
| PARALLEL STAR | 190 | | 200 | | 208 | | 220 | | | | | | | | 0.8 | | 1 | |
| SERIES DELTA | 220 | | 230 | | 240 | | 254 | | | | | | | | | | | |
| DOUBLE DELTA | | | | | | | | | 220 | | 230 | | 240 | | 220,230,240 | | | |
| | KVA | KW | KVA | KW | KVA | KW | KVA | KW | KVA | KW | KVA | KW | KVA | KW | KVA | KW | KVA | KW |
| V184E | 22.5 | 18 | 22.5 | 18 | 22.5 | 18 | 17.5 | 14 | 13 | 10.4 | 13 | 10.4 | 13 | 10.4 | 15 | 12 | 16.6 | 16.6 |
| V184F | 27.5 | 22 | 27.5 | 22 | 27.5 | 22 | 22.5 | 18 | 16 | 12.8 | 16 | 12.8 | 16 | 12.8 | 18.5 | 14.8 | 20 | 20 |
| V184G | 31.3 | 25 | 31.3 | 25 | 31.3 | 25 | 27.5 | 22 | 18.1 | 14.5 | 18.1 | 14.5 | 18.1 | 14.5 | 21 | 16.8 | 22.8 | 22.8 |
| V184H | 37.5 | 30 | 37.5 | 30 | 37.5 | 30 | 32.5 | 26 | 21.7 | 17.4 | 21.7 | 17.4 | 21.7 | 17.4 | 25 | 20 | 27 | 27 |
| V184J | 40 | 32 | 42.5 | 34 | 40 | 32 | 35 | 28 | 23.2 | 18.6 | 24.7 | 19.8 | 23.2 | 18.6 | 28 | 22.4 | 30 | 30 |

60Hz CLASS "H"

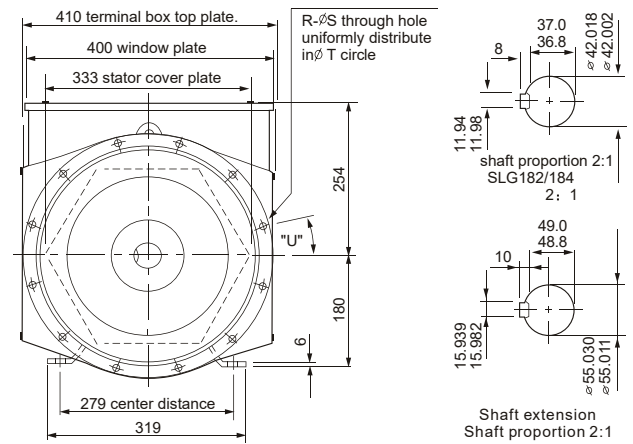
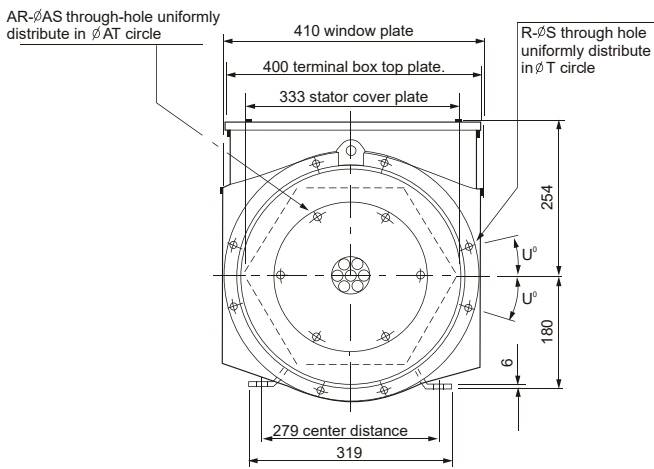
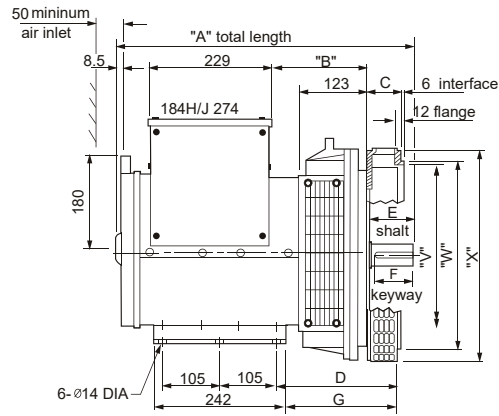
| RATINGS | Winding 311 / 0.8 Power Factor | | | | | | | | | | | | | | Winding 06 | | | |
|---------------|--------------------------------|------|------|------|------|------|------|------|-----------------|------|------|------|------|------|-----------------|------|------|------|
| | Cont./125k/40°C | | | | | | | | Cont./125k/40°C | | | | | | Cont./125k/40°C | | | |
| PHASE | 3 PHASE | | | | | | | | 1 PHASE | | | | | | 1 PHASE | | | |
| SERIES STAR | 416 | | 440 | | 460 | | 480 | | | | | | | | Power Factor | | | |
| PARALLEL STAR | 208 | | 220 | | 230 | | 240 | | | | | | | | 0.8 | | 1 | |
| SERIES DELTA | 240 | | 254 | | 266 | | 277 | | | | | | | | | | | |
| DOUBLE DELTA | | | | | | | | | 220 | | 230 | | 240 | | 220,230,240 | | | |
| | KVA | KW | KVA | KW | KVA | KW | KVA | KW | KVA | KW | KVA | KW | KVA | KW | KVA | KW | KVA | KW |
| V184E | 27.5 | 22 | 28.8 | 23 | 28.8 | 23 | 30 | 24 | 14.6 | 11.7 | 15.3 | 12.2 | 16 | 12.8 | 18.4 | 14.7 | 21 | 21 |
| V184F | 32.5 | 26 | 34.4 | 27.5 | 34.4 | 27.5 | 35 | 28 | 17.2 | 13.8 | 18 | 14.4 | 18.8 | 15 | 21.9 | 17.5 | 25.6 | 25.6 |
| V184G | 35 | 28 | 37.5 | 30 | 37.5 | 30 | 37.5 | 30 | 18.7 | 15 | 19.5 | 15.6 | 20.3 | 16.2 | 25 | 20 | 30 | 30 |
| V184H | 44.3 | 35.4 | 46.9 | 37.5 | 46.9 | 37.5 | 46.9 | 37.5 | 23.6 | 18.9 | 24.6 | 19.7 | 25.7 | 20.6 | 31.3 | 25 | 35 | 35 |
| V184J | 47.3 | 37.8 | 50 | 40 | 50 | 40 | 50 | 40 | 25 | 20 | 26.3 | 21 | 27.4 | 21.9 | 35 | 28 | 40 | 40 |

V184 External dimension

SINGLE BEARING



DOUBLE BEARING



| Model | DIMENSION (mm) | | | | | | | | SHIPMENT DATA | | |
|-------|----------------|-------|-------|-------|------|------|------|------|---------------|------|-------------|
| | A | | | | B | | | | N.W | G.W | LXWXH |
| | SAE2 | SAE3 | SAE4 | SAE5 | SAE2 | SAE3 | SAE4 | SAE5 | (kg) | (kg) | (mm) |
| V184E | 471 | 443.5 | 431.5 | 443.5 | 186 | 159 | 147 | 159 | 120 | 133 | 565X485X620 |
| V184F | 561 | 533.5 | 521.5 | 553.5 | 276 | 249 | 237 | 269 | 150 | 156 | 675X510X620 |
| V184G | 561 | 533.5 | 521.5 | 553.5 | 276 | 249 | 237 | 269 | 156 | 172 | 675X510X620 |
| V184H | 620.5 | 593.5 | 581.5 | 613.5 | 291 | 264 | 252 | 284 | 216 | 226 | 740X510X620 |
| V184J | 620.5 | 593.5 | 581.5 | 613.5 | 291 | 264 | 252 | 284 | 226 | 236 | 740X510X620 |

| Model | DIMENSION (mm) | | | | | SHIPMENT DATA | | | | |
|-------|----------------|------|------|------|------|---------------|------|------|------|-------------|
| | A | B | C | D | E | F | G | N.W | G.W | LXWXH |
| | (mm) | (mm) | (mm) | (mm) | (mm) | (mm) | (mm) | (kg) | (kg) | (mm) |
| V184E | 551.5 | 177 | 65 | 228 | 82 | 77 | 212 | 131 | 141 | 675X510X620 |
| V184F | 641.5 | 267 | 65 | 228 | 82 | 77 | 212 | 154 | 164 | 740X510X620 |
| V184G | 641.5 | 267 | 65 | 228 | 82 | 77 | 212 | 170 | 180 | 740X510X620 |
| V184H | 734.5 | 282 | 105 | 268 | 110 | 100 | 252 | 220 | 230 | 820X510X620 |
| V184J | 734.5 | 282 | 105 | 268 | 110 | 100 | 252 | 230 | 240 | 820X510X620 |

| S.A.E.NO. | FLANGE (mm) | | | | | | | | |
|-----------|-------------|-----|----|-------|----------------|-------|-----|-------------|-------------|
| | AW | R | S | T | U ^o | W | X | C | D |
| 2 | 132.3 | 12 | 11 | 466.7 | 15 | 447.6 | 489 | 172 | 156 |
| 3 | 105 | 8** | 11 | 428.6 | 15 | 409.5 | 451 | 145 | 129 |
| 4 | 93 | 8 | 11 | 381.0 | 15 | 361.9 | 402 | 133 | 117 |
| 5 | 125(105)*** | 8 | 11 | 333.3 | 22.5 | 314.3 | 356 | 165(145)*** | 149(129)*** |
| 6* | 136.7 | 8 | 11 | 285.8 | 22.5 | 266.7 | 308 | 176.7 | 160.7 |

| S.A.E.NO. | FLANGE (mm) | | | | | |
|-----------|-------------|------|-------|----------------|-----|-----|
| | R | S | T | U ^o | V | X |
| 1 | 12 | 12.7 | 530.2 | 15 | 500 | 553 |
| 2 | 12 | 11 | 466.7 | 15 | 432 | 495 |
| 3 | 12 | 11 | 428.6 | 15 | 396 | 451 |
| 4 | 12 | 11 | 381.0 | 15 | 352 | 403 |
| 5 | 8 | 11 | 333.3 | 22.5 | 301 | 356 |

NOTE: * "A" dimension should extend 31.7mm corresponding to an additional spacer plate added on SAE6
 ** 8 holes of SAE3 uniformly distribute on the circle spaced as 12.
 *** The AW dimension of 184E should be 105, C dimension is 145, D dimension is 129.

| S.A.E.NO. | DISC COUPLING (mm) | | | | |
|------------------|--------------------|----|------|-------|-------|
| | AN | AR | AS | AT | V |
| 6.5 ^Δ | 30.16 | 6 | 8.7 | 200.0 | 215.8 |
| 7.5 ^Δ | 30.16 | 8 | 8.7 | 222.2 | 241.2 |
| 8 | 61.9 | 6 | 11 | 244.5 | 263.4 |
| 10 | 53.98 | 8 | 11 | 295.3 | 314.2 |
| 11.5 | 39.68 | 8 | 11 | 333.4 | 352.3 |
| 14 ^Δ | 25.4 | 8 | 13.5 | 438.2 | 466.5 |

| | SINGLE BEARING SAE NO SELECTOR | | | | |
|-------|--------------------------------|---------|-------|--------|----------|
| | SAE 6.5 | SAE 7.5 | SAE 8 | SAE 10 | SAE 11.5 |
| SAE 3 | • | • | | • | • |
| SAE 4 | • | • | • | • | |
| SAE 5 | • | • | | | |
| SAE 6 | • | | | | |

NOTE: ^Δ SAE14 is applicable for SLG184H/J iron core;
 SAE6.5&7.5 are not applicable for SLG184H/J iron core.

All information in this document is substantially correct at the time of printing and may be altered subsequently.

Distributed by: