



### Technical Data Sheet

#### 50Hz CLASS "H"

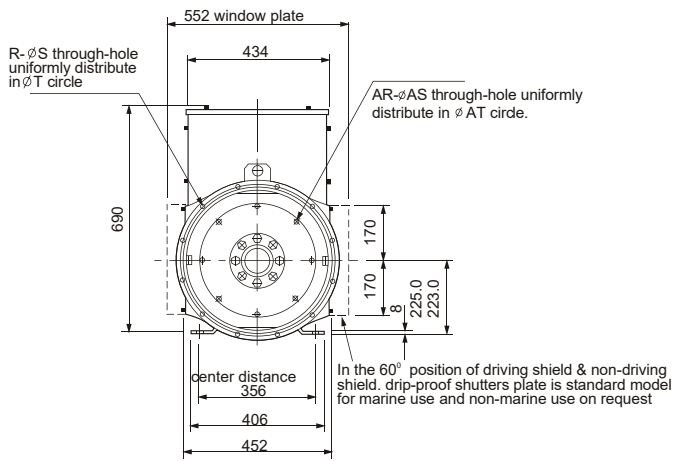
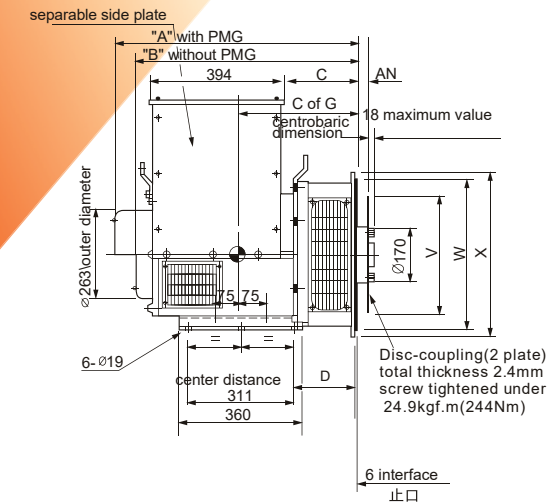
RATINGS	Winding 311 / 0.8 Power Factor														Winding 05				
	Cont./125k/40°C							Cont./125k/40°C							Cont./125k/40°C				
Duty / Temp Rise / Ambient T.																			
PHASE	3 PHASE							1 PHASE							1 PHASE				
SERIES STAR	380		400		415		440									Power Factor			
PARALLEL STAR	190		200		208		220									0.8		1	
SERIES DELTA	220		230		240		254												
DOUBLE DELTA								220		230		240		220,230,240					
	KVA	KW	KVA	KW	KVA	KW	KVA	KW	KVA	KW	KVA	KW	KVA	KW	KVA	KW	KVA	KW	
V224C	42.5	34	42.5	34	42.5	34	32.5	26	28.5	22.8	28.5	22.8	28.5	22.8	28	22.4	28	28	
V224D	50	40	50	40	50	40	46.9	37.5	33.5	26.8	33.5	26.8	33.5	26.8	35	28	35	35	
V224E	60	48	60	48	60	48	45	36	40	32	40	32	40	32	40	32	40	40	
V224F	72.5	58	72.5	58	72.5	58	55	44	48.5	38.8	48.5	38.8	48.5	38.8	50	40	50	50	
V224G	85	68	85	68	85	68	75	60	56.5	45.2	56.5	45.2	56.5	45.2	60	48	60	60	

#### 60Hz CLASS "H"

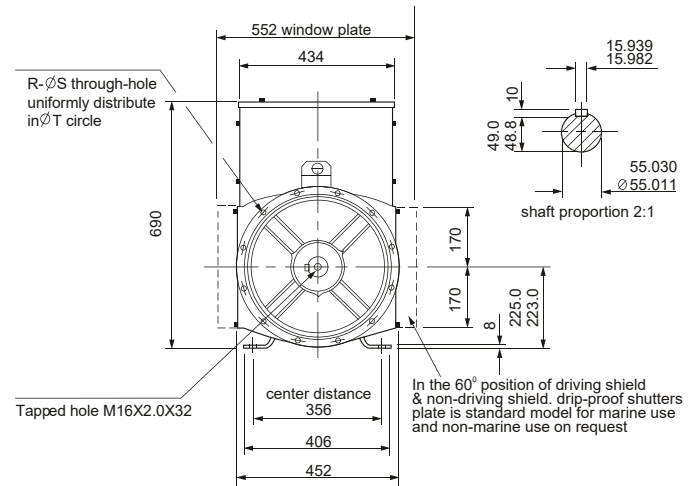
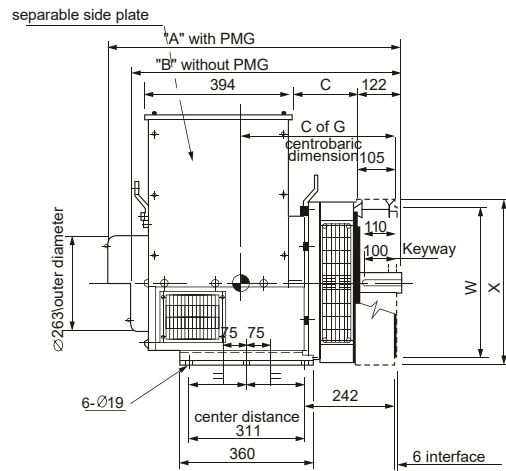
RATINGS	Winding 311 / 0.8 Power Factor														Winding 06				
	Cont./125k/40°C							Cont./125k/40°C							Cont./125k/40°C				
Duty / Temp Rise / Ambient T.																			
PHASE	3 PHASE							1 PHASE							1 PHASE				
SERIES STAR	416		440		460		480									Power Factor			
PARALLEL STAR	208		220		230		240									0.8		1	
SERIES DELTA	240		254		266		277												
DOUBLE DELTA								220		230		240		220,230,240					
	KVA	KW	KVA	KW	KVA	KW	KVA	KW	KVA	KW	KVA	KW	KVA	KW	KVA	KW	KVA	KW	
V224C	50	40	52.5	42	52.5	42	55	44	30.5	24.4	32	25.6	33.5	26.8	37.5	30	37.5	37.5	
V224D	60	48	62.5	50	62.5	50	65	52	36.5	29.2	38.3	30.6	40	32	44	35	44	44	
V224E	67.5	54	70	56	72.5	58	75	60	41.3	33	43.1	34.5	45	36	50	40	50	50	
V224F	83.8	67	87.5	70	87.5	70	93.8	75	50	40	52.5	42	56	45	60	48	60	60	
V224G	93.8	75	97.5	78	100	80	103.8	83	56.9	45.5	59.4	47.5	62.5	50	70	56	75	75	

## V224 ternal dimension

### SINGLE BEARING



### DOUBLE BEARING



DIMENSION (mm)				SHIPMENT DATA				
	Model	A	B	C	C of G	N.W(kg)	G.W(kg)	LXWXH(mm)
SAE2.4	V224C	734	671	233.5	323	235	255	820X540X870
	V224D	734	671	233.5	333	250	270	820X540X870
	V224E	824	761	323.5	348	270	290	890X540X870
	V224F	824	761	323.5	358	310	330	890X540X870
	V224G	869	806	368.5	373	350	370	930X540X875
SAE3	V224C	710	647	210	311	235	255	820X540X870
	V224D	710	647	210	321	250	270	820X540X870
	V224E	800	737	300	336	270	290	890X540X870
	V224F	800	737	300	346	310	330	890X540X870
	V224G	845	782	345	361	350	370	930X540X875

DIMENSION (mm)				SHIPMENT DATA				
	Model	A	B	C	C of G	N.W(kg)	G.W(kg)	LXWXH(mm)
	V224C	792	729	170	368	250	275	820X540X870
	V224D	792	729	170	378	270	295	820X540X870
	V224E	882	819	260	393	290	315	930X540X875
	V224F	882	819	260	403	320	345	930X540X875
	V224G	927	864	305	418	360	385	930X540X875

FLANGE (mm)						
S.A.E.No.	D	R	S	T	W	X
2	200.5	12	11	466.7	447.6	490
3	177	12	11	428.6	409.5	451
4	177	12	11	381.0	361.9	451

FLANGE (mm)					
S.A.E.No.	R	S	T	W	X
2	12	11	466.7	447.6	495
3	12	11	428.6	409.5	451
4	12	11	381.0	361.9	403
5	8	11	333.3	314.3	356

DISC COUPLING (mm)					
S.A.E.No.	AN	AR	AS	AT	V
8	61.9	6	11	244.4	263.4
10	53.98	8	11	295.3	314.2
11.5	39.68	8	11	333.3	352.3
14	25.40	8	13.5	438.2	466.6

SINGLE BEARING SAE NO SELECTOR			
	SAE8	SAE10	SAE11.5
SAE 2			•
SAE 3		•	•
SAE 4	•	•	

All information in this document is substantially correct at the time of printing and may be altered subsequently.

Distributed by: