



MODEL
V164



Technical Data Sheet

50Hz CLASS "H"

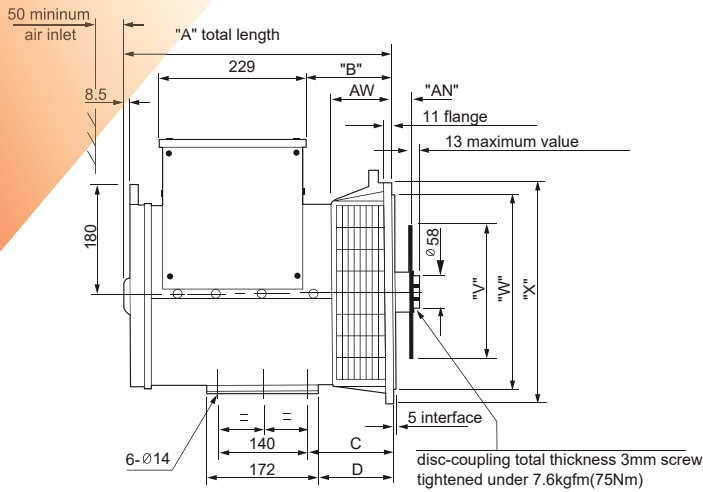
RATINGS	Winding 311 / 0.8 Power Factor														Winding 05					
	Cont./125k/40°C							Cont./125k/40°C							Cont./125k/40°C					
PHASE	3 PHASE							1 PHASE							1 PHASE					
SERIES STAR	380	400	415	440															Power Factor	
PARALLEL STAR	190	200	208	220														0.8	1	
SERIES DELTA	220	230	240	254																
DOUBLE DELTA									220	230	240								220,230,240	
	KVA	KW	KVA	KW	KVA	KW	KVA	KW	KVA	KW	KVA	KW	KVA	KW	KVA	KW	KVA	KW	KVA	KW
V164A	8.1	6.5	8.1	6.5	8.1	6.5	6.2	5	4.7	3.8	4.7	3.8	4.7	3.8	5.4	4.3	6.8	6.8		
V164B	11	8.8	11	8.8	11	8.8	8.5	6.8	6.4	5.1	6.4	5.1	6.4	5.1	7.4	5.9	8.4	8.4		
V164C	13.5	10.8	13.5	10.8	13.5	10.8	11	8.8	7.8	6.2	7.8	6.2	7.8	6.2	9.0	7.2	11.0	11.0		
V164D	16	12.8	16	12.8	16	12.8	13.5	10.8	9.3	7.4	9.3	7.4	9.3	7.4	10.8	8.6	13	13		

60Hz CLASS "H"

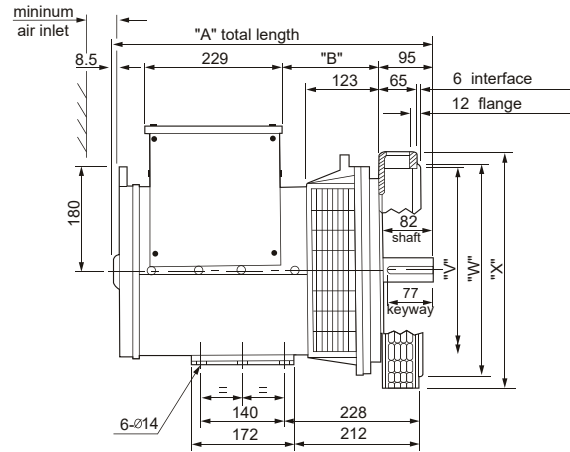
RATINGS	Winding 311 / 0.8 Power Factor														Winding 06					
	Cont./125k/40°C							Cont./125k/40°C							Cont./125k/40°C					
PHASE	3 PHASE							1 PHASE							1 PHASE					
SERIES STAR	416	440	460	480															Power Factor	
PARALLEL STAR	208	220	230	240														0.8	1	
SERIES DELTA	240	254	266	277																
DOUBLE DELTA									220	230	240								220,230,240	
	KVA	KW	KVA	KW	KVA	KW	KVA	KW	KVA	KW	KVA	KW	KVA	KW	KVA	KW	KVA	KW	KVA	KW
V164A	9.6	7.7	10.2	8.2	10.2	8.2	10.2	8.2	5.1	4.1	5.4	4.3	5.6	4.5	6.4	5.1	8.2	8.2		
V164B	13	10.4	13.8	11	13.8	11	13.8	11	6.9	5.5	7.2	5.8	7.5	6	8.8	7.0	11.0	11.0		
V164C	16	12.8	16.9	13.5	16.9	13.5	16.9	13.5	8.5	6.8	8.9	7.1	9.3	7.4	10.8	8.6	13.5	13.5		
V164D	18.9	15.1	20	16	20	16	20	16	10	8	10.5	8.4	11	8.8	13.5	10.8	16.5	16.5		

V164 External dimension

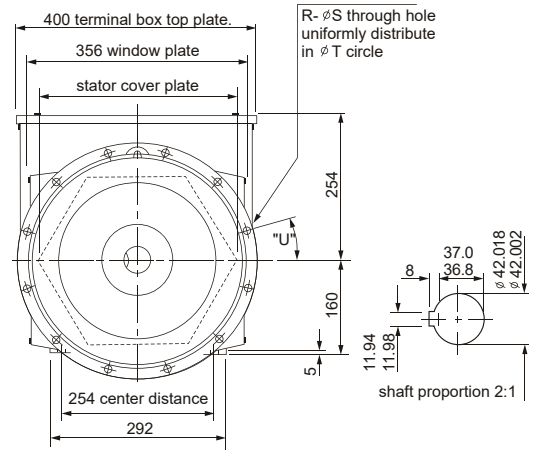
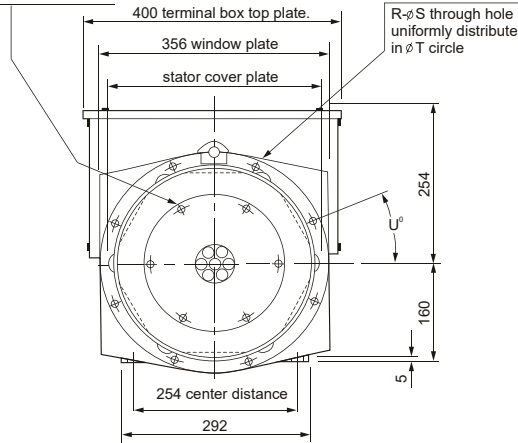
SINGLE BEARING



DOUBLE BEARING



AM- øAP through-hole uniformly distribute in øAR circle.



Model	DIMENSION (mm)						SHIPMENT DATA			
	A			B			N.W (kg)	G.W (kg)	LXWXH (mm)	
	SAE3/5	SAE4	SAE6	SAE3/5	SAE4	SAE6				
V164A	403.5	391.5	435.2	119.5	107	151.2	85	95	515X485X620	
V164B	403.5	391.5	435.2	119.5	107	151.2	90	102	515X485X620	
V164C	403.5	391.5	435.2	119.5	107	151.2	96	110	515X485X620	
V164D	403.5	391.5	435.2	119.5	107	151.2	99	116	515X485X620	

Model	DIMENSION (mm)		SHIPMENT DATA		
	A	B	N.W(kg)	G.W(kg)	LXWXH(mm)
	V164A	511.5	137	91	101
V164B	511.5	137	98	108	565X485X620
V164C	511.5	137	106	116	565X485X620
V164D	511.5	137	112	122	565X485X620

S.A.E.No.	FLANGE (mm)									
	AW	R	S	T	U°	W	X	C	D	
3	105	8	11	428.6	15	409.5	451	145	129	
4	93	8	11	381.0	15	361.9	402	133	117	
5	105	8	11	333.3	22.5	314.3	356	145	129	
6*	136.7	8	11	285.8	22.5	266.7	308	176.7	160.7	

S.A.E.No.	FLANGE (mm)						
	R	S	T	U°	V	W	X
3	12	11	428.6	15	396	409.5	451
4	12	11	381.0	15	352	361.9	403
5	8	11	333.3	22.5	301	314.3	356

S.A.E.No.	DISC COUPLING (mm)				
	AN	AM	AP	AR	V
6.5	30.16	6	8.7	200.0	215.8
7.5	30.16	8	8.7	222.2	241.2
8	61.9	6	11	244.5	263.4
10	53.98	8	11	295.3	314.2

	SINGLE BEARING SAE NO SELECTOR			
	SAE 6.5	SAE 7.5	SAE 8	SAE 10
SAE 3	•	•		•
SAE 4		•	•	•
SAE 5	•	•		
SAE 6	•			

NOTE : * "A" dimension should extend 31.77mm corresponding to an additional spacer plate added on SAE6.
 * 8 holes of SAE3 uniformly distribute on the circle spaced as 12.

All information in this document is substantially correct at the time of printing and may be altered subsequently.

Distributed by: