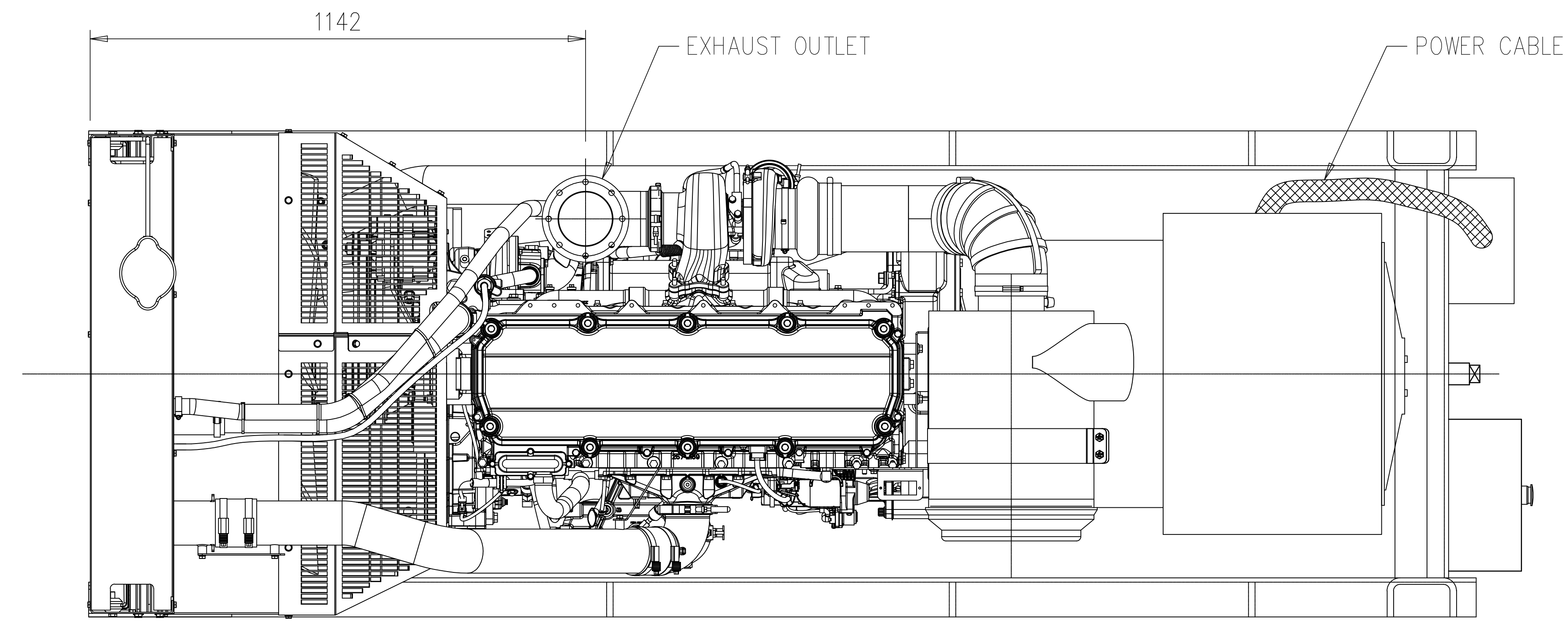
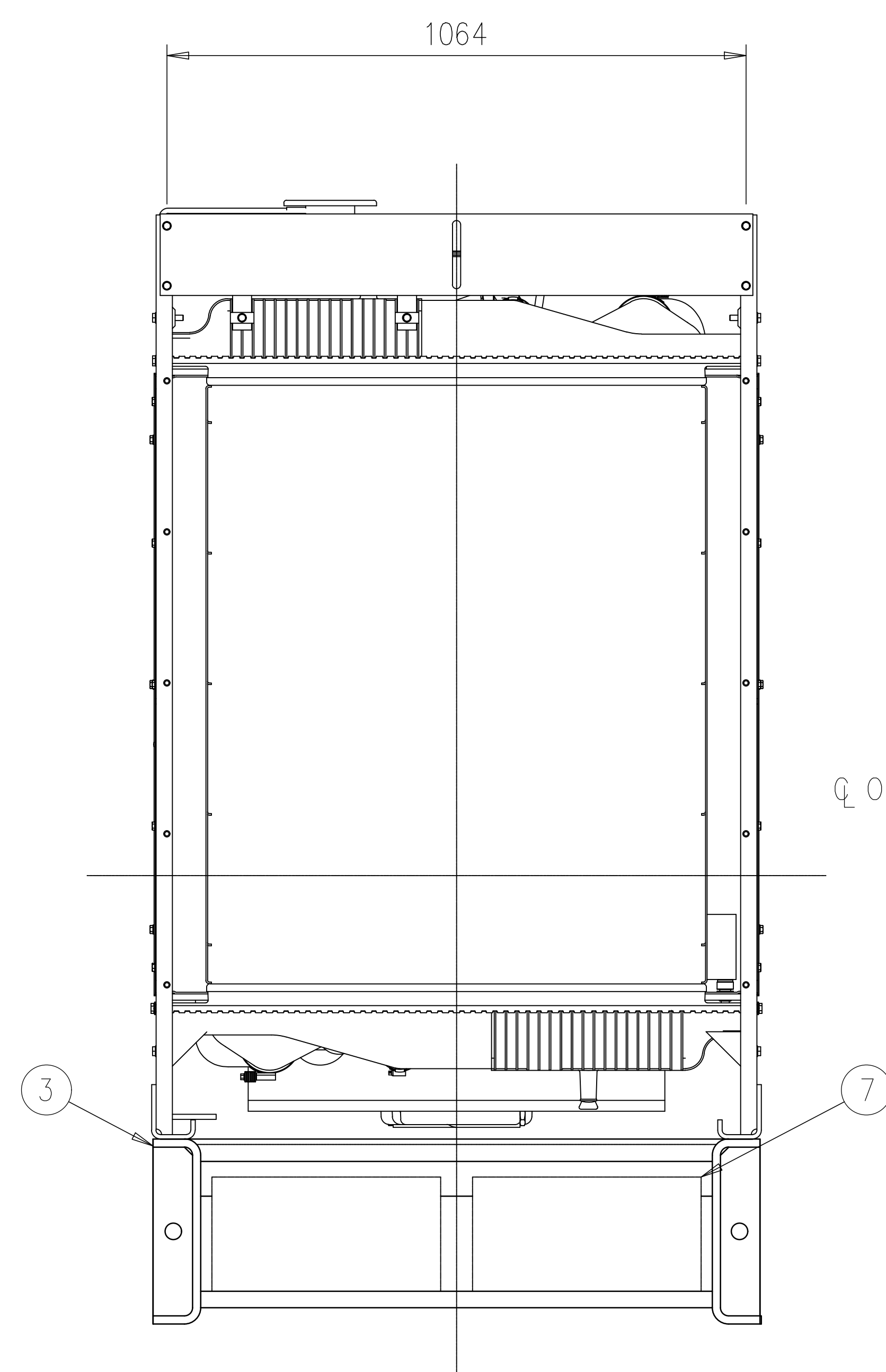


PERKINS ENGINE MODEL	2206A-E13TAG2
LS TAL ALTERNATOR MODEL	TAL 046H

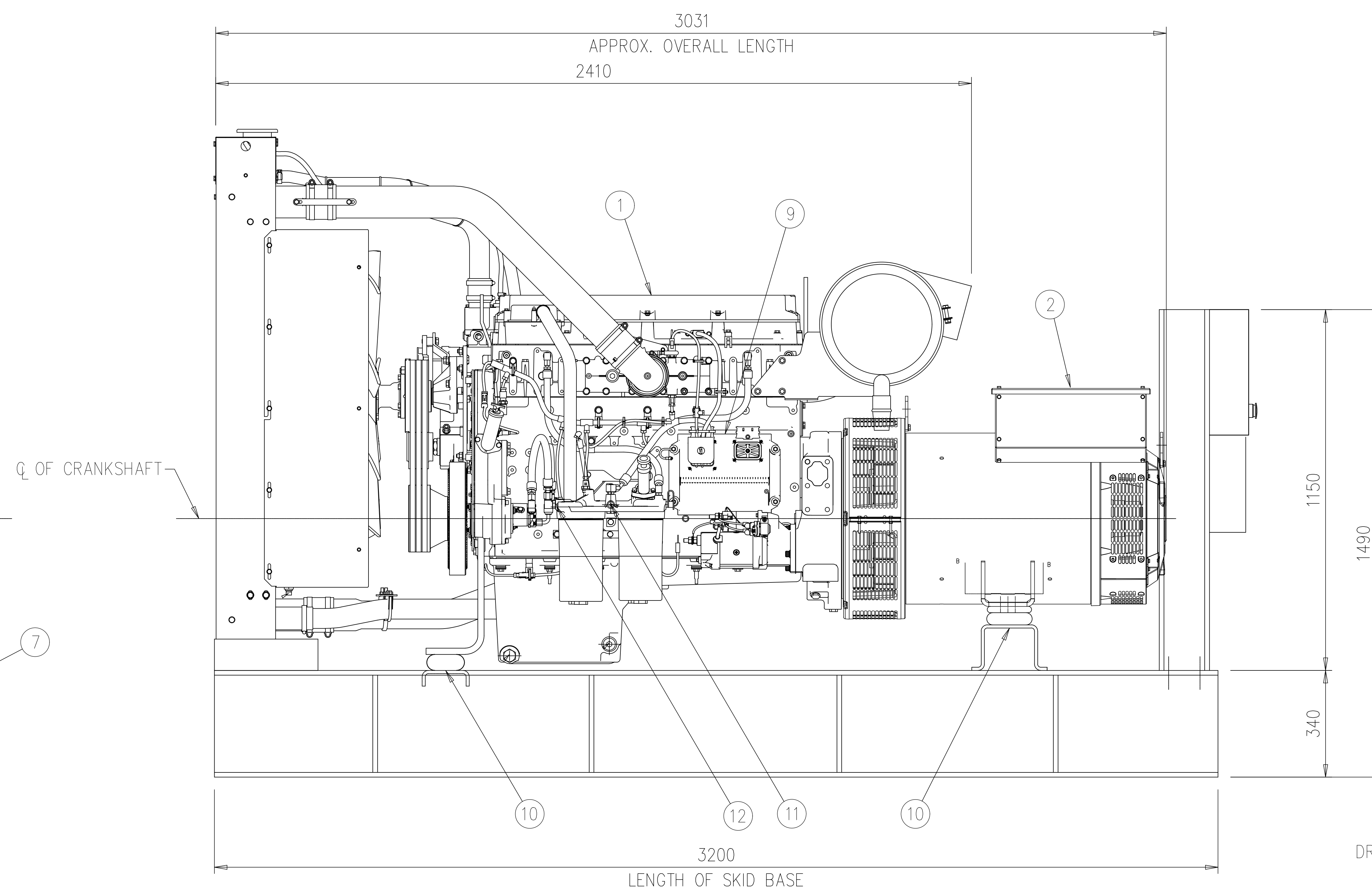
ITEM NO.	DESCRIPTION
1	ENGINE BLOCK
2	ALTERNATOR
3	SKID BASE
4	CONTROL PANEL
5	RADIATOR
6	PANEL STAND
7	BATTERY WITH STAND
8	CIRCUIT BREAKER PANEL
9	ECM (ADEM 4)
10	AVM (4 NOS.)
11	FUEL RETURN CONNECTION
12	FUEL INLET CONNECTION



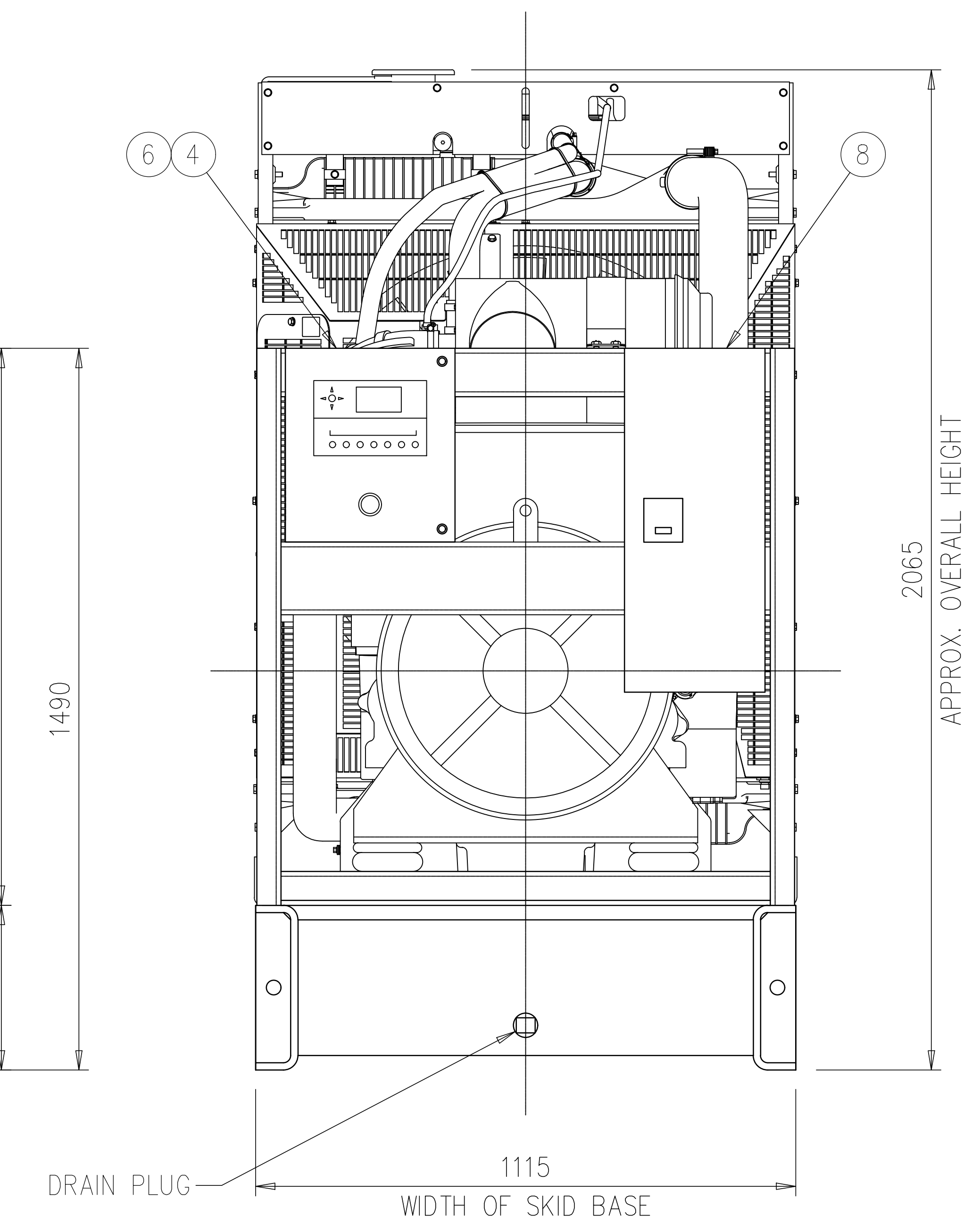
TOP VIEW



REAR VIEW



SIDE VIEW



FRONT VIEW