

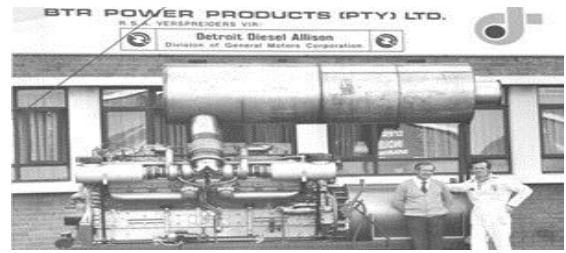


PENPOWER

DIESEL GENERATORS

PenPower Diesel Generators are long standing generator manufactures based in Cape Town, South Africa. Working with dependable engine and alternator partners, PenPower are able to offer a product with cutting edge design and unrivalled support

Since 1965



PenPower PPv830.5D

	Prime kVA	Prime kW	Standby kVA	Standby kW
Output Rating	760	608	830	664
	50Hz, 400v 3ph			

Rating definitions

Prime Power - This rating is applicable for supplying continuous electric power (at variable load) in lieu of commercially purchased power. 10% Overload power is available for 1 hour in 12 hours continuous operation.

Standby Power - This rating is applicable for supplying continuous electric power (at variable load) in the event of an utility power failure. No overload is permitted for this rating.

Standard reference conditions

Output ratings are presented at 25°C air inlet temperature, barometric pressure 100 kPa, relative humidity 30%. This Generating set is designed to operate at high ambient temperatures (up to 55°C), humidity (up to 99%) and higher altitudes. De-rating may apply, please consult us for a site rating.



Volvo Powered Diesel Generator

The PPv830.5D is powered by the Volvo TWD1744GE, the latest engine out of the Volvo Penta stable. The 17L, D17 diesel engine is Volvo's most powerful generator engine yet. Although with slightly higher displacement to the D16, the new engine retains the same configuration and footprint. Combined with Dual stage turbo charges the D17 offers a very high-power density. In addition to the increased power density the TWD1744GE also offers up to 5% improved kWh fuel consumption when compared to already impressive D16 engine.

Open set dimensions

Length	3600	mm
Breadth	1900	mm
Height	2150	mm
Weight	5120	kg
Fuel tank	optional /s	
Weight excludes fuel and fuel storage		



Container set dimensions

Length	6058	mm
Breadth	2438	mm
Height	2896	mm
Weight	7460	kg
Fuel tank	optional /s	
Weight excludes fuel and fuel storage		

Metal treatment and coatings

Container: cut and welded sections are cleaned then primed with Jotun Alu 90 and then finished with Jotun HD matching container's original colour. Single coat Jotun HD entire container inside and out.

For base frames : Base frame structure is made of extruded channel. Surface treatment, surface is prepped and then double coat Jotun ALU90 primer is sprayed followed by Jotun HD in black.



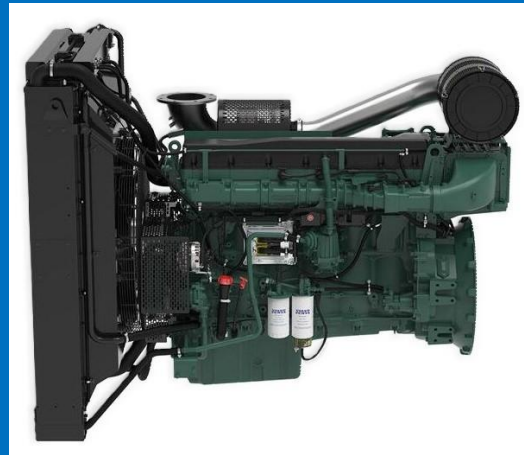
PENPOWER

DIESEL GENERATORS

Engine

VOLVO PENTA

Engine Model	TWD1744GE
Number of Cylinders	6
Induction system	Turbo, inter- cooled
Cubic capacity	17.26L
Bore x Stroke	149 x 165
Governor	Electronic
Coolant capacity	92L
Compression Ratio	16.5:1
Lubricating oil capacity	52L
Fan air flow	11.1M3/s
Oil consumption	0.08L/Hr
Electrical system voltage	24V



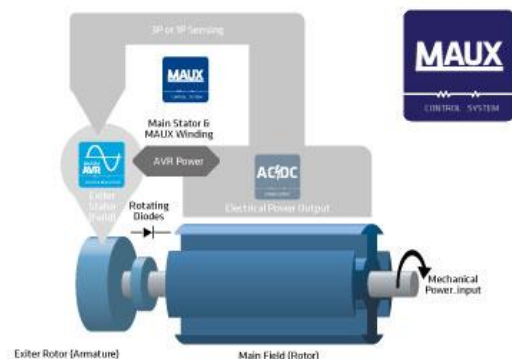
Fuel Consumption

110%	169L/hr
100%	154L/hr
75%	115L/hr
50%	78L/hr
25%	42L/hr

Alternator



Make	MeccAlte
Model	ECO43-1S4
No of bearings	1
Marinization	Standard
Anticondensation heater	Standard



Controller

SmartGen
ideas for power



The **SmartGen 6120 4G** is a next-generation controller designed for generator systems with advanced 4G network capabilities. It provides comprehensive control, monitoring, and protection for diesel or gas generator sets. Here's a breakdown of its key features and a summary:

Key Features:

Remote Control & Monitoring

Allows for remote operation and monitoring through a mobile app or web interface

Automatic transfer switch control

Comprehensive monitoring

Real-time data monitoring, including voltage, current, frequency, power, and more.

Alarm and Fault Protection

Integrated alarm and fault detection system

The SmartGen 6120 4G is an advanced generator controller designed to meet the needs of modern power generation systems. It integrates 4G technology to enable reliable remote monitoring and control. With automatic transfer switch control and a range of safety features, it offers a comprehensive solution.



PENPOWER
DIESEL GENERATORS

Warranty

We got your back

All Penpower generators are covered by a PenPower warranty. Further Major components also carry their own warranties . All active warranties run concurrently and do not impact on one another. Warranty procedure can be carried by via Please request specific engine and alternator warranty summaries which are available.

PenPower Diesel Generators : end-user warranty

This is a warranty which applies to all generating sets furnished by PenPower Diesel Generators (hereinafter referred to as "the company"). All generating sets are warranted against defects in materials and workmanship for a period of twelve

The company's responsibilities

If a defect in material or workmanship arises during the warranty period the company will:

Replace or, at the company's discretion, repair the defective parts.

Provide for reasonable and customary labour costs incurred while effecting repairs to engine defects in accordance with the policies and repair times laid down by the engine manufacturer.

Provide for the cost of service supplied such as coolant, oil and filters which are made unserviceable by the defect.

The user's responsibilities

The user is responsible for:

Installing and operating the generating set in accordance with the manufacturer's instructions

Returning the warranty registration form within ten days from the date of start-up or one month from the date of sale,

Ensuring that the initial start-up is performed by an authorized representative company or its distributors or agents

Exceptional Circumstances

In exceptional circumstances, the said start-up will be waived but only if a pre-delivery inspection has been completed.

Conditions

This warranty is conditional on the user's agreement to accept.

It is at the company's sole discretion as to whether the faulty part is defective in material or workmanship

Labour costs, except as stated under "the company's responsibility" including costs incurred in removing and replacing the

The costs and risks for the transporting / shipping and other charges associated with the replacement of the repair parts.

Any costs in excess of the purchase price of the product

Other miscellaneous costs including but not limited to travel, mileage, lodging, taxes, telephone calls and overtime, except

His obligation to make complete payment for the purchase of the equipment, parts per services relating to the equipment

Limitations, this warranty does not cover

Defects due to the user's improper installation, maintenance or use.

Alterations or repairs not authorized by the company in writing

Any operation in excess of the company's rating or outside of the stated site conditions

Normal wear and tear

This warranty is expressly in lieu of all other warranties, express or implied, including, but not limited to, any warranty of merchantability or fitness for the particular purpose. All warranties which exceed the aforementioned obligations are hereby disclaimed by the company and excluded from this warranty. The company shall, under no circumstances, be held liable for any special direct, indirect, incidental or consequential damages – in particular, when the product is operating in conjunction with a transmission system where there is a risk of potentially damaging electrical stresses in the event of transmission failure. All claims made under the warranty should be made by contacting your local distributor or agent or the company who will outline the administration and scope.