

Installation reference:
D17GE



Publication number: 47715303
Issue: 08-2023

D17GE - Flexible mounts, fundamentals of placement

Refer to General Installation Summary for information.

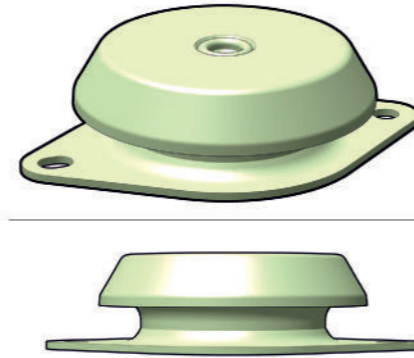
Engine foundation layout

The noise and vibrations from the installation affects both the people health and components lifetime. To reduce the noise and vibration levels, the engine's foundation and frame must be equipped with flexible mounts.

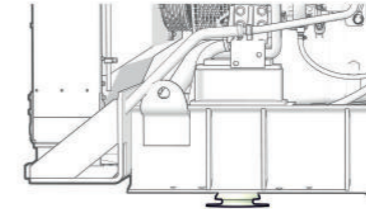
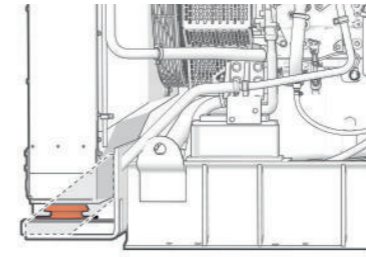
The choice of correct mounts depends on what type of installation is used for mounting the engine and the generator or final transmission device. For more information, refer to:

- General Installation Summary (GIS)
- Installation drawings provided by Volvo Penta Partner Network (VPPN)

Flexible mounts

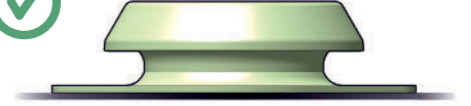
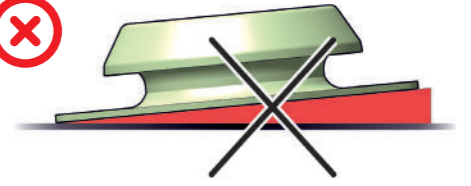


Volvo Penta recommends flexible mounts according to Order specifications in Sales Support Tool.



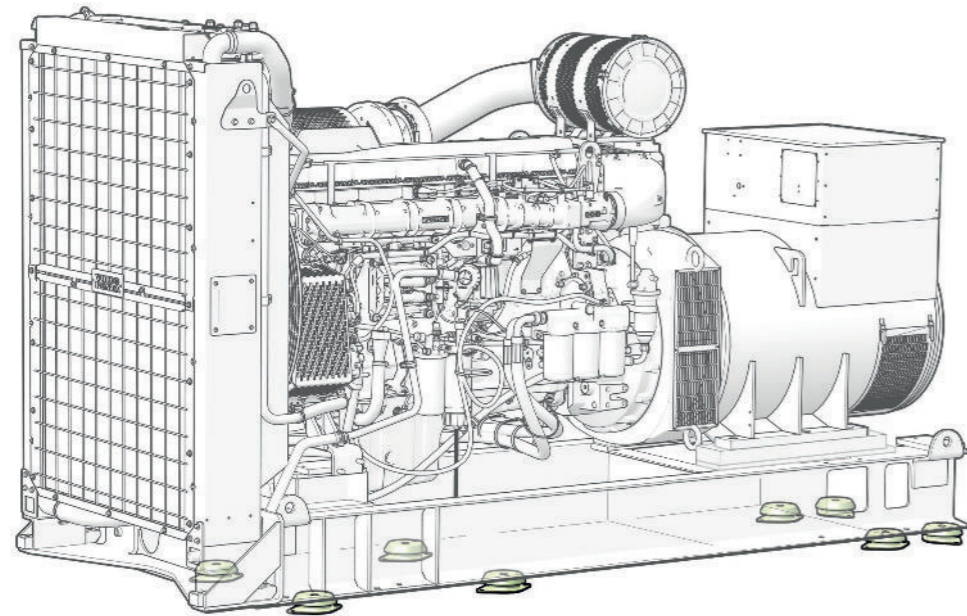
IMPORTANT!

Do not install flexible mounts below the cooling package.



IMPORTANT!

Flexible mounts must be installed on a flat and even surface.

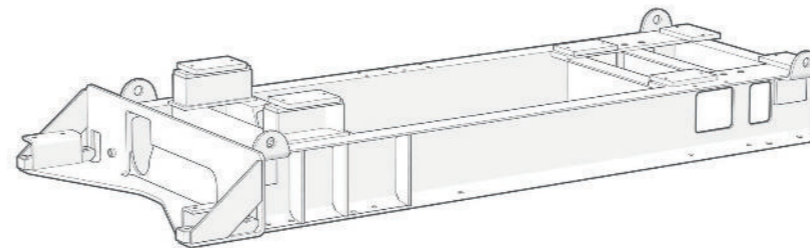


Volvo Penta recommends to install the flexible mounts below the base frame.

The frame load must be evenly distributed on the mounts.

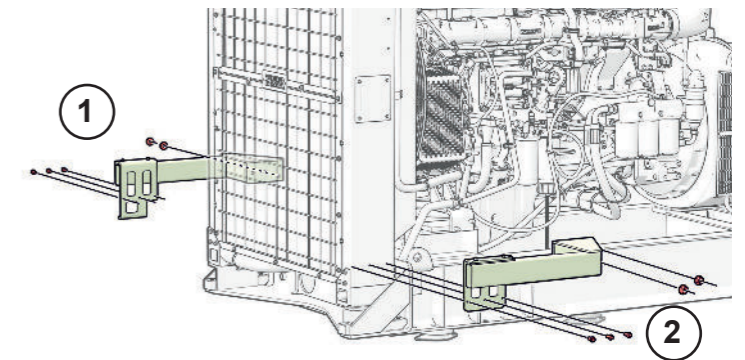
- 1 Calculate the center of gravity.
- 2 Distribute the mounts for even weight distribution.

Frame recommendations



Volvo Penta recommends to build a robust frame with high stiffness.

Installation on base frame



IMPORTANT!

Remove the transportation brackets (1) and (2) from the radiator and the engine before the engine is started.