



MODEL
V184



Technical Data Sheet

50Hz CLASS "H"

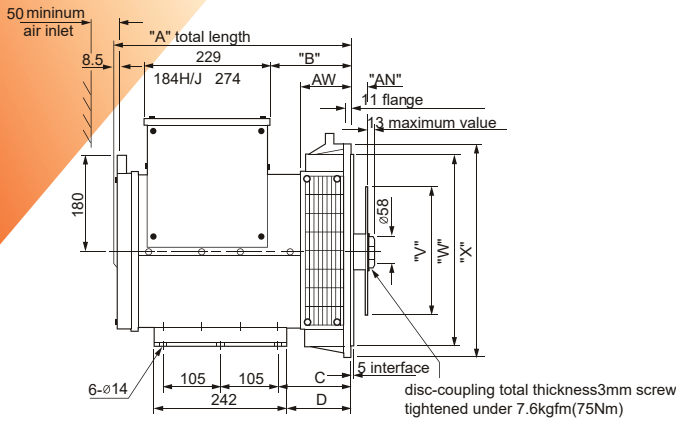
RATINGS	Winding 311 / 0.8 Power Factor														Winding 05			
	Cont./125k/40°C								Cont./125k/40°C						Cont./125k/40°C			
PHASE	3 PHASE								1 PHASE						1 PHASE			
SERIES STAR	380		400		415		440								Power Factor			
PARALLEL STAR	190		200		208		220								0.8		1	
SERIES DELTA	220		230		240		254											
DOUBLE DELTA									220		230		240		220,230,240			
	KVA	KW	KVA	KW	KVA	KW	KVA	KW	KVA	KW	KVA	KW	KVA	KW	KVA	KW	KVA	KW
V184E	22.5	18	22.5	18	22.5	18	17.5	14	13	10.4	13	10.4	13	10.4	15	12	16.6	16.6
V184F	27.5	22	27.5	22	27.5	22	22.5	18	16	12.8	16	12.8	16	12.8	18.5	14.8	20	20
V184G	31.3	25	31.3	25	31.3	25	27.5	22	18.1	14.5	18.1	14.5	18.1	14.5	21	16.8	22.8	22.8
V184H	37.5	30	37.5	30	37.5	30	32.5	26	21.7	17.4	21.7	17.4	21.7	17.4	25	20	27	27
V184J	40	32	42.5	34	40	32	35	28	23.2	18.6	24.7	19.8	23.2	18.6	28	22.4	30	30

60Hz CLASS "H"

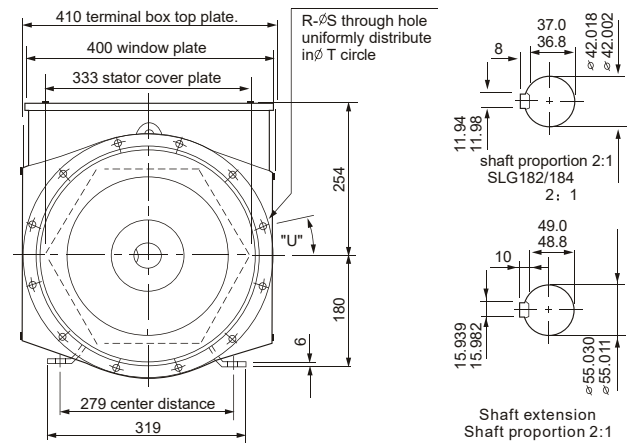
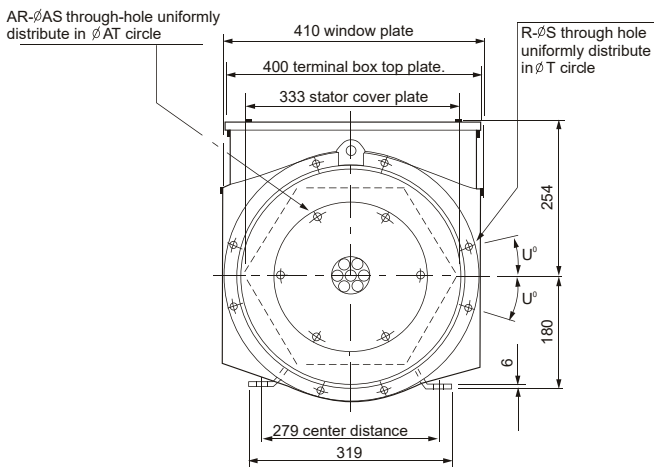
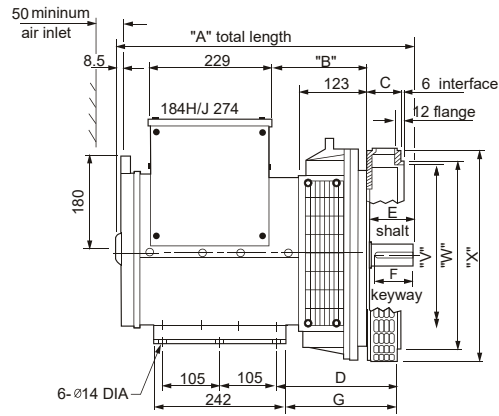
RATINGS	Winding 311 / 0.8 Power Factor														Winding 06			
	Cont./125k/40°C								Cont./125k/40°C						Cont./125k/40°C			
PHASE	3 PHASE								1 PHASE						1 PHASE			
SERIES STAR	416		440		460		480								Power Factor			
PARALLEL STAR	208		220		230		240								0.8		1	
SERIES DELTA	240		254		266		277											
DOUBLE DELTA									220		230		240		220,230,240			
	KVA	KW	KVA	KW	KVA	KW	KVA	KW	KVA	KW	KVA	KW	KVA	KW	KVA	KW	KVA	KW
V184E	27.5	22	28.8	23	28.8	23	30	24	14.6	11.7	15.3	12.2	16	12.8	18.4	14.7	21	21
V184F	32.5	26	34.4	27.5	34.4	27.5	35	28	17.2	13.8	18	14.4	18.8	15	21.9	17.5	25.6	25.6
V184G	35	28	37.5	30	37.5	30	37.5	30	18.7	15	19.5	15.6	20.3	16.2	25	20	30	30
V184H	44.3	35.4	46.9	37.5	46.9	37.5	46.9	37.5	23.6	18.9	24.6	19.7	25.7	20.6	31.3	25	35	35
V184J	47.3	37.8	50	40	50	40	50	40	25	20	26.3	21	27.4	21.9	35	28	40	40

V184 External dimension

SINGLE BEARING



DOUBLE BEARING



Model	DIMENSION (mm)								SHIPMENT DATA		
	A				B				N.W	G.W	LXWXH
	SAE2	SAE3	SAE4	SAE5	SAE2	SAE3	SAE4	SAE5	(kg)	(kg)	(mm)
V184E	471	443.5	431.5	443.5	186	159	147	159	120	133	565X485X620
V184F	561	533.5	521.5	553.5	276	249	237	269	150	156	675X510X620
V184G	561	533.5	521.5	553.5	276	249	237	269	156	172	675X510X620
V184H	620.5	593.5	581.5	613.5	291	264	252	284	216	226	740X510X620
V184J	620.5	593.5	581.5	613.5	291	264	252	284	226	236	740X510X620

Model	DIMENSION (mm)					SHIPMENT DATA				
	A	B	C	D	E	F	G	N.W	G.W	LXWXH
	(mm)	(mm)	(mm)	(mm)	(mm)	(mm)	(mm)	(kg)	(kg)	(mm)
V184E	551.5	177	65	228	82	77	212	131	141	675X510X620
V184F	641.5	267	65	228	82	77	212	154	164	740X510X620
V184G	641.5	267	65	228	82	77	212	170	180	740X510X620
V184H	734.5	282	105	268	110	100	252	220	230	820X510X620
V184J	734.5	282	105	268	110	100	252	230	240	820X510X620

S.A.E.NO.	FLANGE (mm)								
	AW	R	S	T	U ^o	W	X	C	D
2	132.3	12	11	466.7	15	447.6	489	172	156
3	105	8**	11	428.6	15	409.5	451	145	129
4	93	8	11	381.0	15	361.9	402	133	117
5	125(105)***	8	11	333.3	22.5	314.3	356	165(145)***	149(129)***
6*	136.7	8	11	285.8	22.5	266.7	308	176.7	160.7

S.A.E.NO.	FLANGE (mm)					
	R	S	T	U ^o	V	X
1	12	12.7	530.2	15	500	553
2	12	11	466.7	15	432	495
3	12	11	428.6	15	396	451
4	12	11	381.0	15	352	403
5	8	11	333.3	22.5	301	356

NOTE: * "A" dimension should extend 31.7mm corresponding to an additional spacer plate added on SAE6
 ** 8 holes of SAE3 uniformly distribute on the circle spaced as 12.
 *** The AW dimension of 184E should be 105, C dimension is 145, D dimension is 129.

S.A.E.NO.	DISC COUPLING (mm)				
	AN	AR	AS	AT	V
6.5 ^Δ	30.16	6	8.7	200.0	215.8
7.5 ^Δ	30.16	8	8.7	222.2	241.2
8	61.9	6	11	244.5	263.4
10	53.98	8	11	295.3	314.2
11.5	39.68	8	11	333.4	352.3
14 ^Δ	25.4	8	13.5	438.2	466.5

	SINGLE BEARING SAE NO SELECTOR				
	SAE 6.5	SAE 7.5	SAE 8	SAE 10	SAE 11.5
SAE 3	•	•		•	•
SAE 4	•	•	•	•	
SAE 5	•	•			
SAE 6	•				

NOTE: ^Δ SAE14 is applicable for SLG184H/J iron core;
 SAE6.5&7.5 are not applicable for SLG184H/J iron core.

All information in this document is substantially correct at the time of printing and may be altered subsequently.

Distributed by: