



Technical Data Sheet

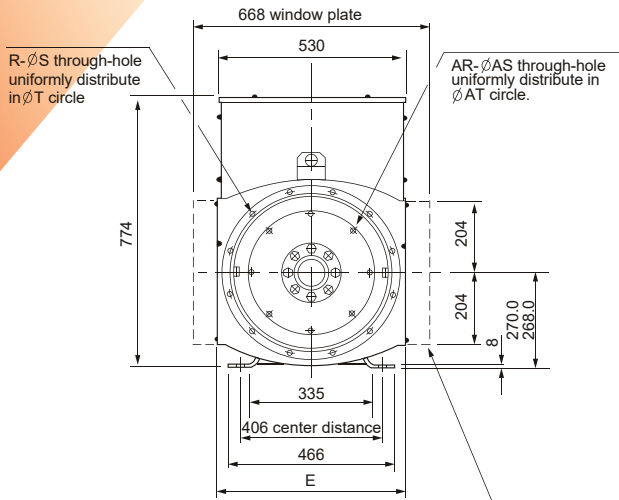
50Hz CLASS "H"

RATINGS	Winding 311 / 0.8 Power Factor											
Duty / Temp Rise / Ambient T.	Cont./125k/40°C						Cont./125k/40°C					
PHASE	3 PHASE						1 PHASE					
SERIES STAR	380		400		415							
PARALLEL STAR	190		200		208							
SERIES DELTA	220		230		240							
DOUBLE DELTA							220		230		240	
	KVA	KW	KVA	KW	KVA	KW	KVA	KW	KVA	KW	KVA	KW
V274C	100	80	100	80	100	80	60	48	60	48	60	48
V274D	114	91.2	120	96	114	91.2	68	54.4	68	54.4	68	54.4
V274E	140	112	140	112	140	112	85	68	85	68	85	68
V274F	160	128	160	128	160	128	96	76.8	96	76.8	96	76.8
V274G	180	144	180	144	180	144	108	86.4	108	86.4	108	86.4
V274H	200	160	200	160	200	160	120	96	120	96	120	96
V274J	230	184	230	184	230	184	138	110.4	138	110.4	138	110.4
V274K	250	200	250	200	250	200	150	120	150	120	150	120

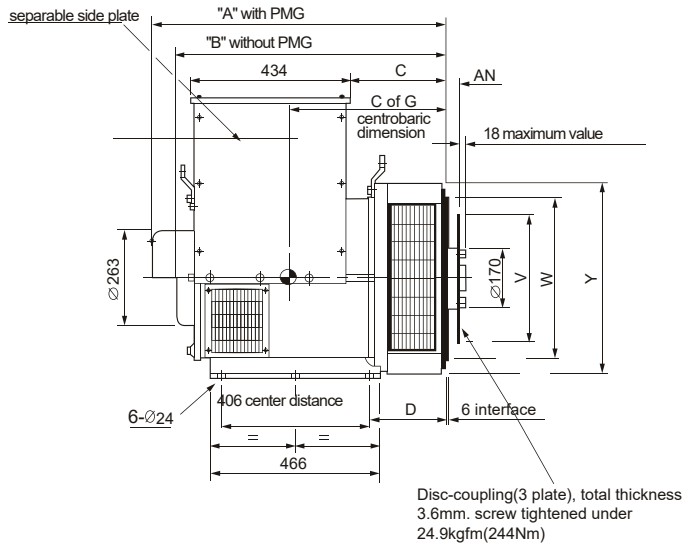
60Hz CLASS "H"

RATINGS	Winding 311 / 0.8 Power Factor													
Duty / Temp Rise / Ambient T.	Cont./125k/40°C						Cont./125k/40°C							
PHASE	3 PHASE						1 PHASE							
SERIES STAR	416		440		460		480							
PARALLEL STAR	208		220		230		240							
SERIES DELTA	240		254		266		277							
DOUBLE DELTA							220		230		240			
	KVA	KW	KVA	KW	KVA	KW	KVA	KW	KVA	KW	KVA	KW		
V274C	112.5	90	117.5	94	117.5	94	125	100	61.3	49	64.4	51.5	67.5	54
V274D	131.3	105	137.5	110	137.5	110	146.3	117	72	57.6	75	60	78.8	63
V274E	160	128	167.5	134	167.5	134	178.8	143	84	67.2	90	72	96	76.8
V274F	181.3	145	190	152	190	152	206.3	165	97.5	78	103.1	82.5	108.8	87
V274G	205	164.5	218.5	174.8	218.5	174.8	231.4	185.1	110.5	88.4	115.7	92.6	123.4	98.7
V274H	237.5	190	245	196	245	196	255	204	127.5	102	135	108	142.5	114
V274J	269	215.2	281	224.8	294	235.2	300	240	150	120	157	125.6	161	128.8
V274K	291	232.8	299	239.2	312.5	250	312.5	250	155	124	166	132.8	175	140

V274C~H Single bearing external dimension



in the 60° position of driving shield & non-driving shield.
drip-proof shutters plate is standard model for marine
use and non-marine use on request

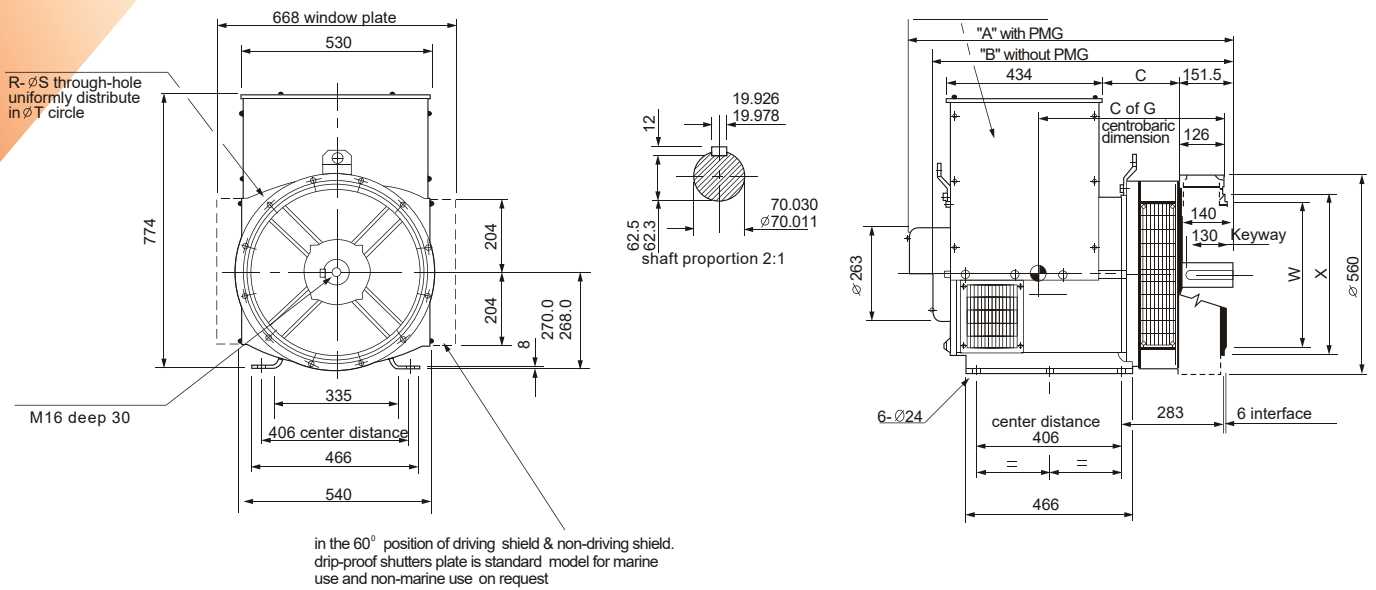


DIMENSION (mm)							SHIPMENT DATA		
Model	A	B	C	E	C of G	N.W(kg)	G.W(kg)	LXWXH(mm)	
SAE1	V274C	813.3	750.3	274.3	554	365	385	415	900X650X975
	V274D	813.3	750.3	274.3	554	375	405	435	900X650X975
	V274E	928.3	865.3	389.3	554	390	455	485	1020X650X975
	V274F	928.3	865.3	389.3	554	415	500	530	1020X650X975
	V274G	978.3	915.3	439.3	554	435	550	580	1080X650X975
	V274H	1018.3	955.3	479.3	554	455	600	630	1110X650X975
SAE2&3	V274C	799	736	260	544	398	385	415	900X650X975
	V274D	799	736	260	544	422	405	435	900X650X975
	V274E	914	851	375	544	489	455	485	1020X650X975
	V274F	914	851	375	544	527	500	530	1020X650X975
	V274G	964	904	425	544	579	550	580	1080X650X975
	V274H	1004	941	465	544	625	600	630	1110X650X975

FLANGE (mm)								
S.A.E.No.	D	R	S	T	W	X	Y	
1	216.3	12	12.7	530.2	511.1	553	580	
2	202	12	11	466.7	447.6	490	530	
3	202	12	11	428.6	409.5	451	530	

DISC COUPLING (mm)					
S.A.E.No.	AN	AR	AS	AT	V
10	53.98	8	11	295.3	314.2
11.5	39.68	8	11	333.3	352.3
14	25.40	8	13.5	438.2	466.6

V274C~H Double bearing external dimension



DIMENSION (mm)

Model	A	B	C	C of G
V274C	905	842	215	420
V274D	905	842	215	430
V274E	1020	957	330	445
V274F	1020	957	330	475
V274G	1070	1007	380	490
V274H	1110	1047	420	510

FLANGE (mm)

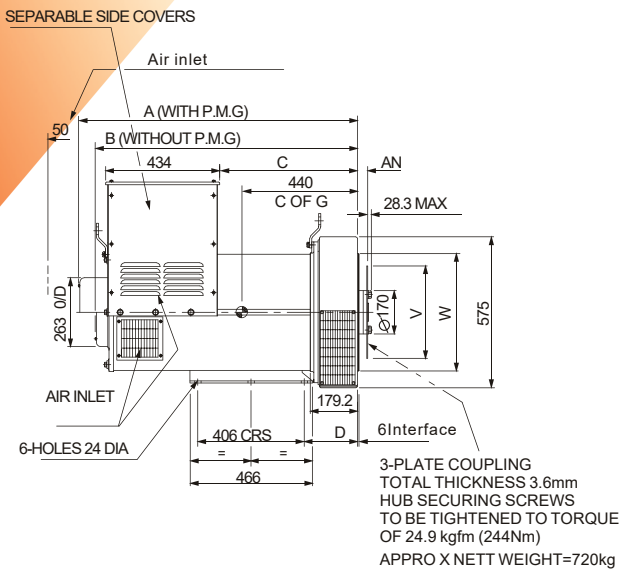
S.A.E.No.	R	S	T	W	X
1	12	12.7	530.2	511.1	553
2	12	11	466.7	447.6	495
3	12	11	428.6	409.5	451

SHIPMENT DATA

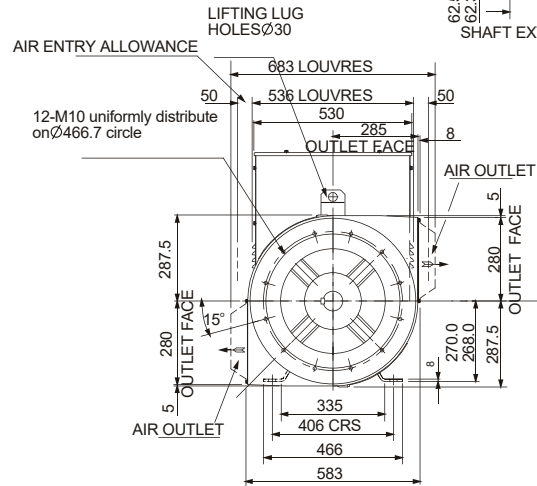
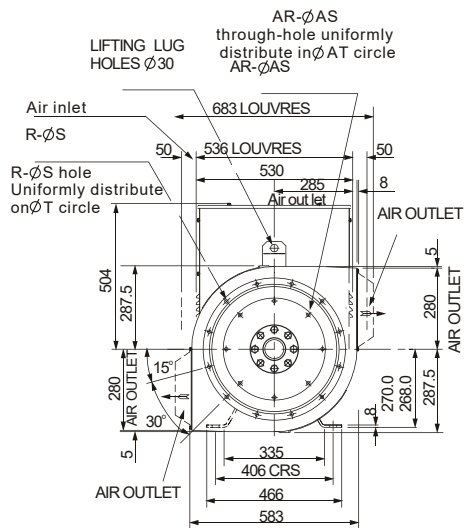
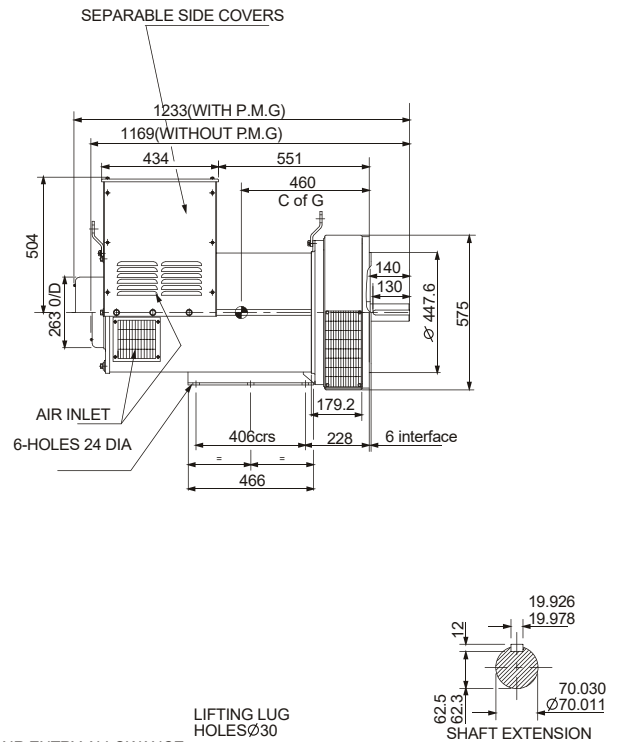
Model	N.W(kg)	G.W(kg)	LXWXH(mm)
V274C	395	435	980X650X975
V274D	420	460	980X650X975
V274E	470	510	1080X650X975
V274F	510	550	1080X650X975
V274G	560	600	1110X650X975
V274H	610	650	1160X650X980

V274J/K External dimension

SINGLE BEARING



DOUBLE BEARING



FLANGE (mm)

S.A.E.No.	A	B	C	D	R	S	T	W
1	1063	1000	525	202	12	12.7	530.2	511.1
2	1063	1000	525	202	12	11	466.7	447.6
3	1086.5	1023.5	548.5	225.5	12	11	428.6	409.5

DISC COUPLING (mm)

S.A.E.No.	AN	AR	AS	AT	V
11.5	39.68	8	11	333.3	352.3
14	25.40	8	13.5	438.2	466.6

SAE NO SELECTOR CHOWT

	274C~H			274J/K	
	SAE 10	SAE 11.5	SAE 14	SAE 11.5	SAE 14
SAE 0					•
SAE 1			•	•	•
SAE 2	•	•		•	
SAE 3	•	•		•	

All information in this document is substantially correct at the time of printing and may be altered subsequently.

Distributed by: