



Technical Data Sheet

50Hz CLASS "H"

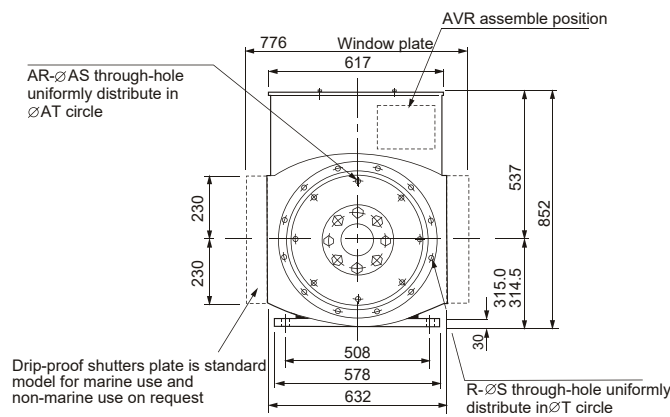
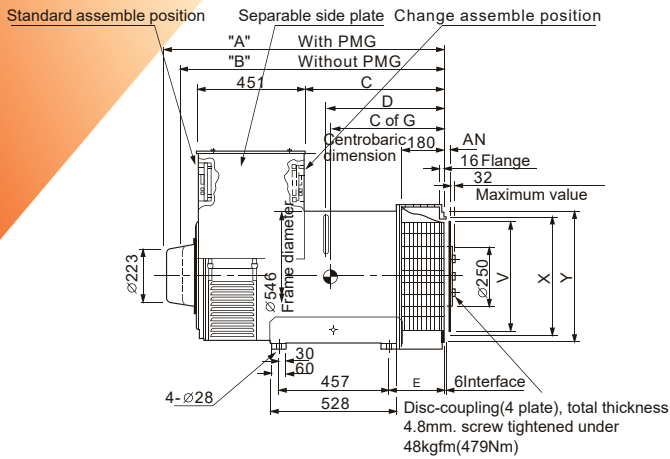
RATINGS	Winding 311 / 0.8 Power Factor															
	Cont./125k/40°C								Standby/150k/40°C							
PHASE	3 PHASE															
SERIES STAR	380		400		415		440		380		400		415		440	
PARALLEL STAR	190		200		208		220		190		200		208		220	
SERIES DELTA	220		230		240		254		220		230		240		254	
DOUBLE DELTA																
	KVA	KW	KVA	KW	KVA	KW	KVA	KW	KVA	KW	KVA	KW	KVA	KW	KVA	KW
V314C	250	200	250	200	250	200	250	220	259	207	259	207	259	207	259	207
V314D	295	236	295	236	295	236	280	224	313	250	313	250	313	250	295	236
V314E	325	260	325	260	325	260	325	260	345	276	345	276	345	276	345	276
V314EL	350	280	350	280	350	280	350	280	370	296	370	296	370	296	370	296
V314F	380	304	380	304	380	304	380	304	390	312	390	312	390	312	390	312
V314G	400	320	400	320	400	320	400	320	415	332	430	344	430	344	430	344

60Hz CLASS "H"

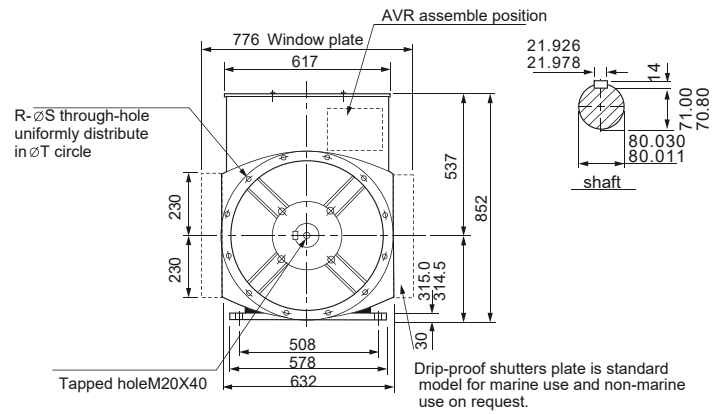
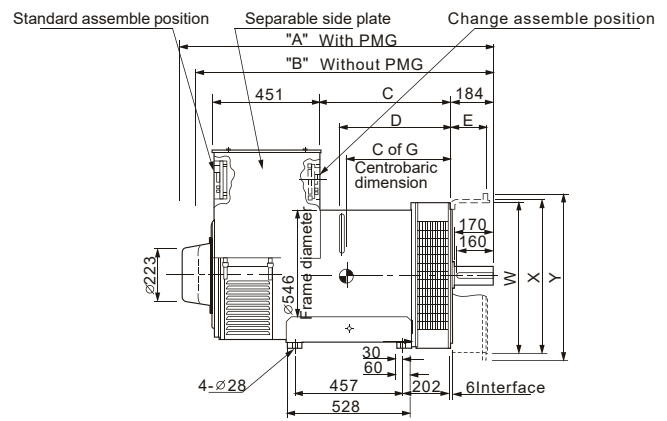
RATINGS	Winding 311 / 0.8 Power Factor															
	Cont./125k/40°C								Standby/150k/40°C							
PHASE	3 PHASE															
SERIES STAR	416		440		460		480		416		440		460		480	
PARALLEL STAR	208		220		230		240		208		220		230		240	
SERIES DELTA	240		254		266		277		240		254		266		277	
DOUBLE DELTA																
	KVA	KW	KVA	KW	KVA	KW	KVA	KW	KVA	KW	KVA	KW	KVA	KW	KVA	KW
V314C	281	225	294	235	300	240	313	250	300	240	313	250	319	255	332	266
V314D	338	270	350	280	363	290	375	300	365	285	375	300	388	310	400	320
V314E	381	305	394	315	406	325	419	335	406	325	419	335	431	345	444	355
V314EL	400	320	420	336	440	352	440	352	420	336	445	356	460	368	460	368
V314F	444	355	456	365	463	370	475	380	475	380	483	386	488	390	500	400
V314G	455	364	480	384	500	400	500	400	485	388	515	412	535	428	535	428

V314 External dimension

SINGLE BEARING



DOUBLE BEARING



Model	DIMENSION (mm)								C of G
	A		B		C		D		
	SAE 1/2/0.5	SAE0	SAE 1/2/0.5	SAE0	SAE 1/2/0.5	SAE0	SAE 1/2/0.5	SAE0	
V314C	1172	1202	1101	1131	584	614	493	523	463
V314D	1172	1202	1101	1131	584	614	493	523	483
V314E	1172	1202	1101	1131	584	614	493	523	504
V314EL	1172	1202	1101	1131	584	614	493	523	525
V314F	1262	1292	1191	1221	674	704	583	613	530
V314G	1262	1292	1191	1221	674	704	583	613	550

Model	SHIPMENT DATA		
	N.W(kg)	G.W(kg)	LXWXH(mm)
V314C	800	850	1270X740X1080
V314D	890	940	1270X740X1080
V314E	960	1010	1270X740X1080
V314EL	1010	1060	1270X740X1080
V314F	1110	1160	1330X740X1090
V314G	1160	1210	1330X740X1090

S.A.E.No.	FLANGE (mm)					
	R	S	T	X	Y	E
0	12	14	679.5	647.6	711	232
1/2	12	14	619.1	584.1	680	232
1	12	12.7	530.2	511.1	617	232
2	12	11	466.7	447.6	617	232

S.A.E.No.	DISC COUPLING (mm)				
	AN	AR	AS	AT	V
11.5	39.68	8	11	333.4	352.3
14	25.40	8	13.5	438.1	466.6
18	15.87	6	16.7	543.0	571.4

Model	DIMENSION (mm)					SHIPMENT DATA		
	A	B	C	D	C of G	N.W (kg)	G.W (kg)	LXWXH (mm)
V314C	1326	1255	554	463	443	800	860	1370X740X1090
V314D	1326	1255	554	463	453	890	950	1370X740X1090
V314E	1326	1255	554	463	474	980	1040	1370X740X1090
V314EL	1326	1255	554	463	474	1030	1090	1370X740X1090
V314F	1416	1345	654	553	500	1110	1170	1470X740X1090
V314G	1416	1345	654	553	500	1160	1220	1470X740X1090

S.A.E.No.	FLANGE (mm)						
	R	S	T	W	X	Y	E
0	16	14	679.5	632	647.6	711	150
1/2	12	14	619.1	569	584.1	648	150
1	12	12.7	530.2	496	511.1	553	150

SAE NO	SINGLE BEARING SAE NO SELECTOR		
	SAE11.5	SAE14	SAE18
SAE 0		•	•
SAE 0.5		•	
SAE 1	•	•	
SAE 2	•		

All information in this document is substantially correct at the time of printing and may be altered subsequently.

Distributed by: